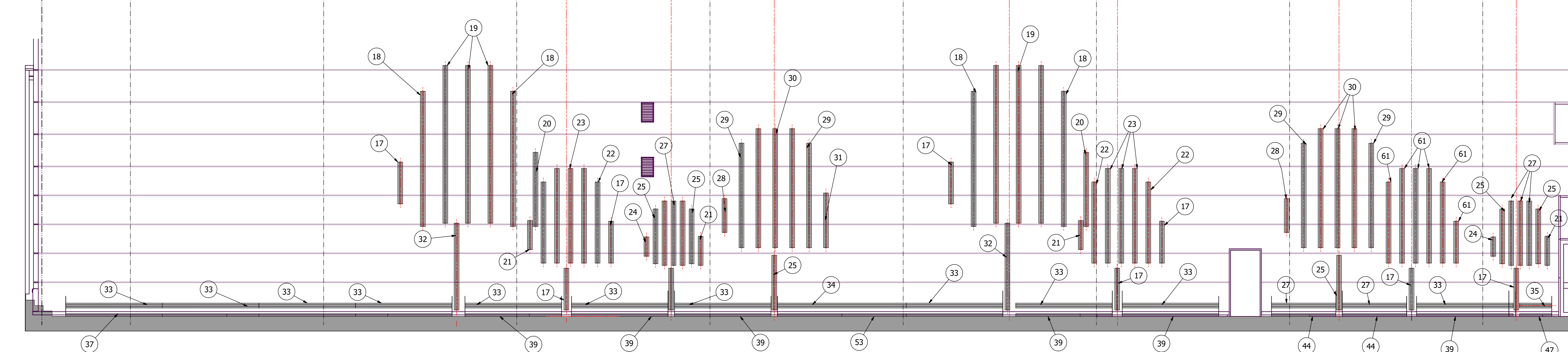
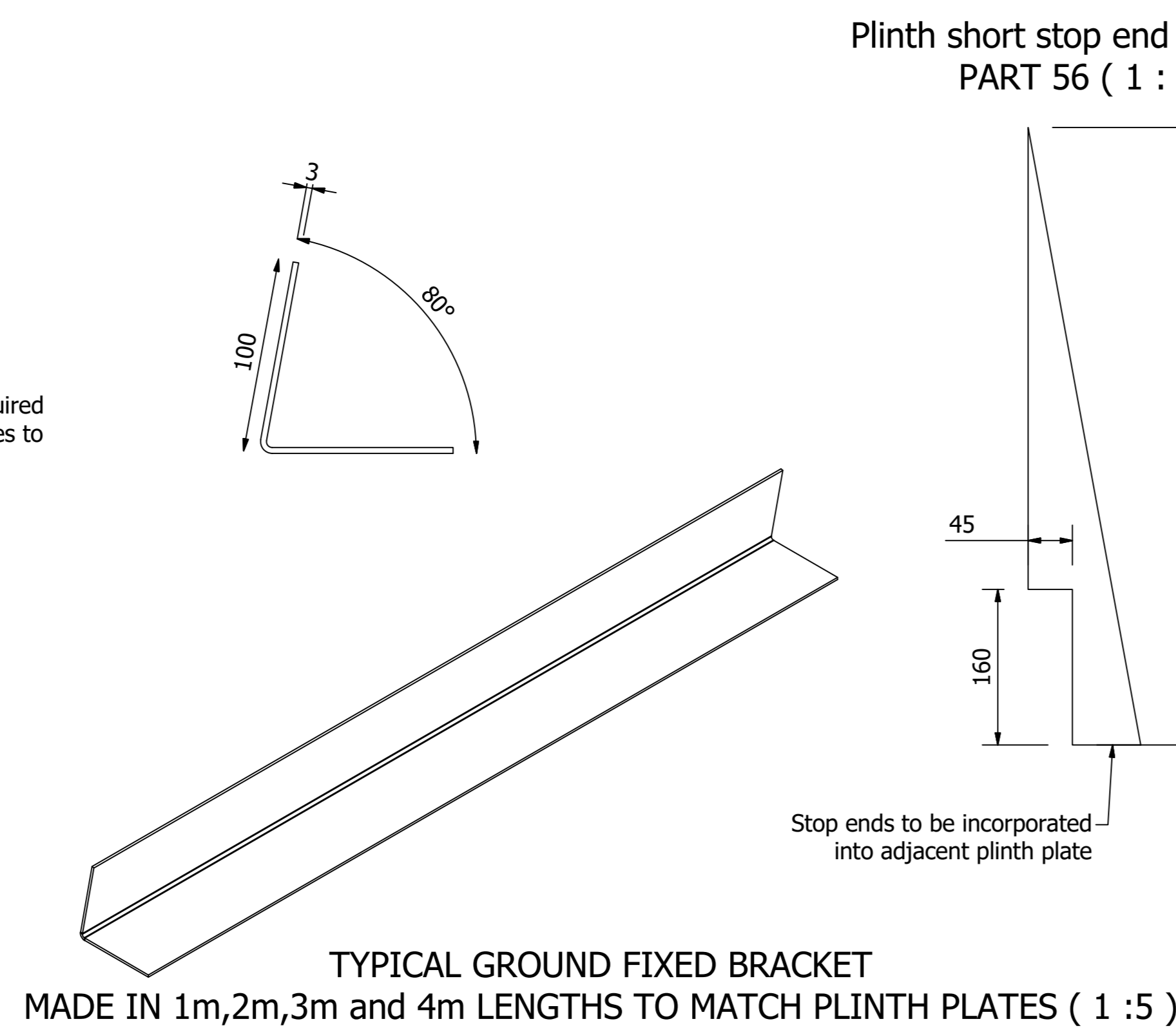
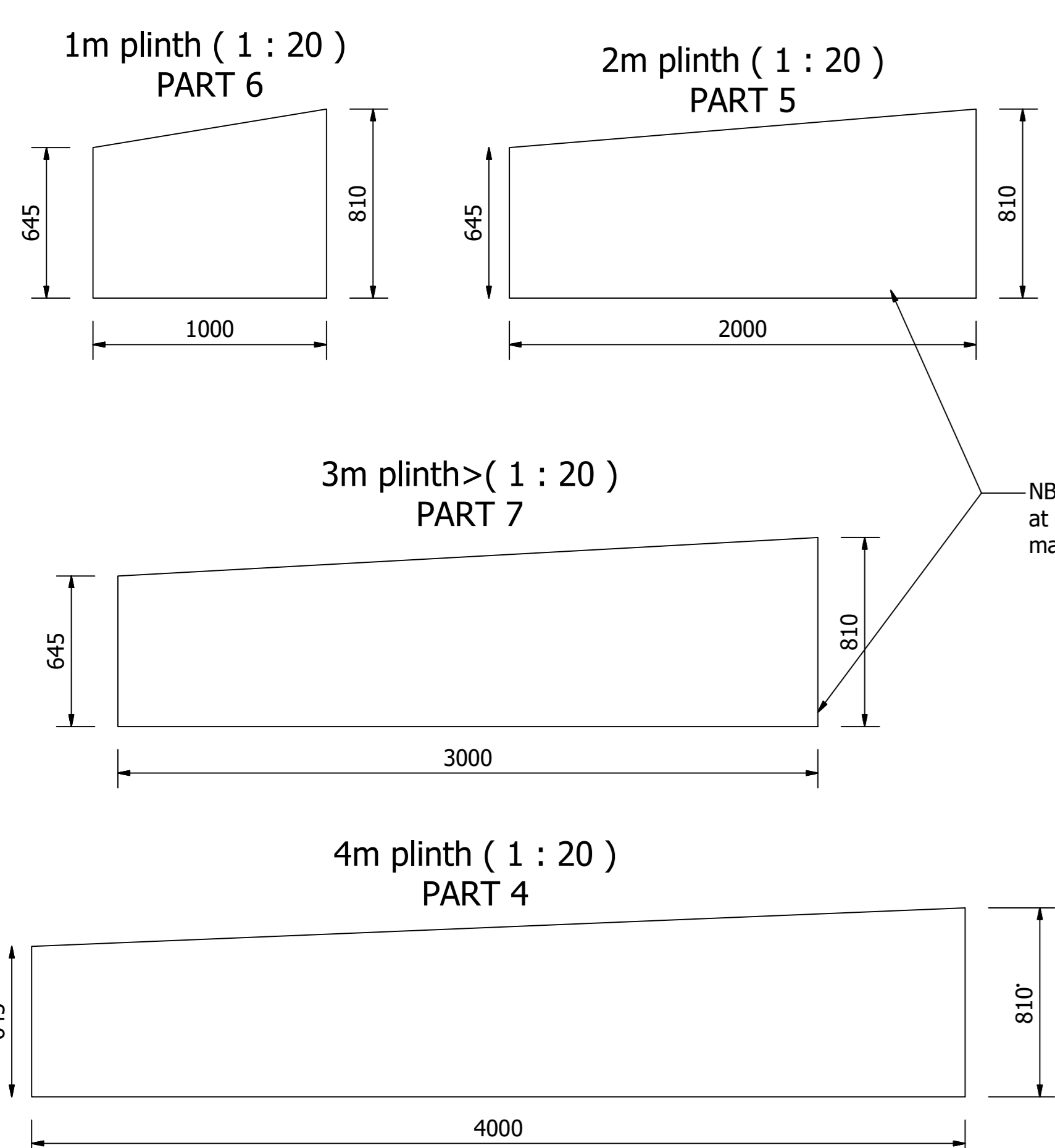


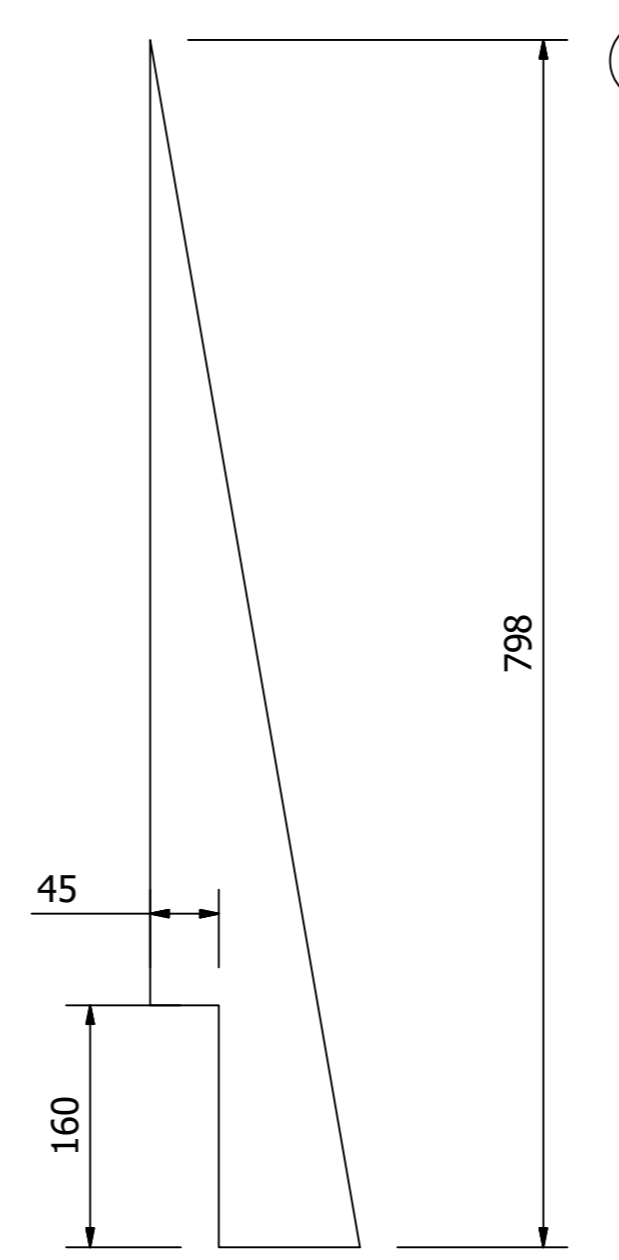
PROPOSED SETTING OUT ELEVATION OF PUBLIC ART METAL TREE INSTALLATION (1 : 50)



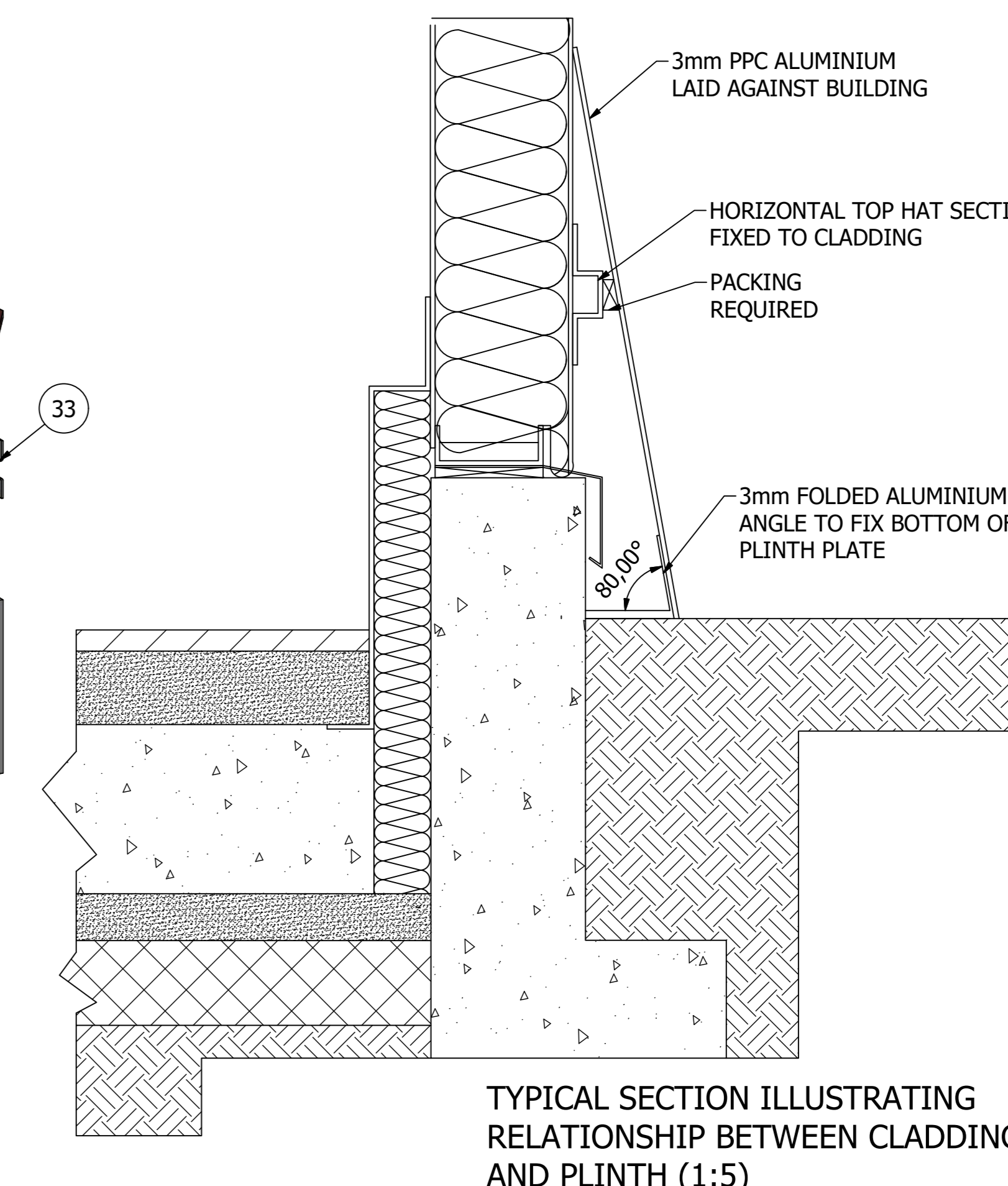
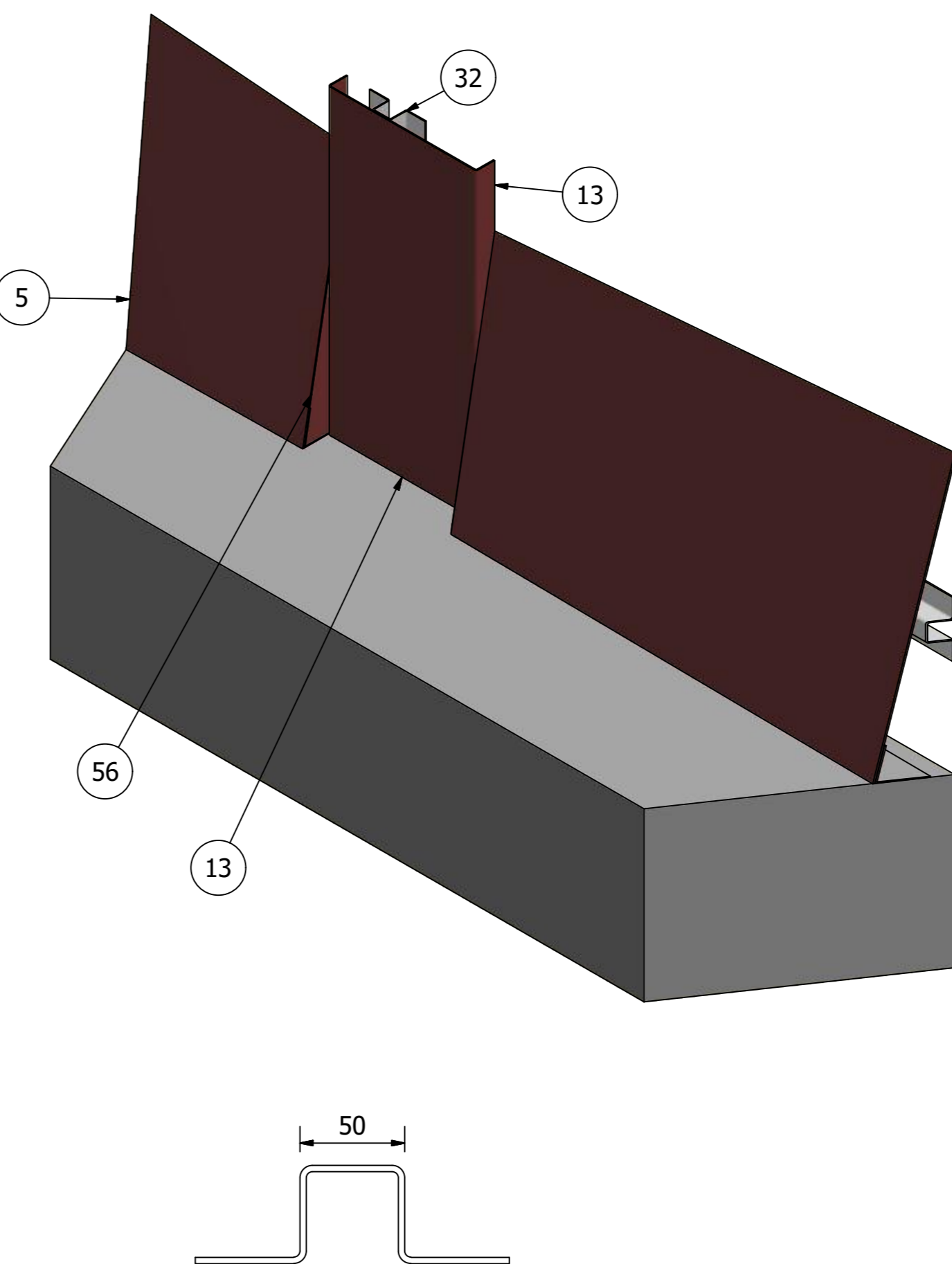
PROPOSED SET OUT OF SUPPORT GRID (1 : 50)



Plinth long stop end elevation PART 57 (1 : 5)



TYPICAL TOP HAT SECTION TO MANUFACTURER'S DETAIL AND SPECIFICATION LENGTH VARIES (1 : 2.5)



TYPICAL SECTION ILLUSTRATING RELATIONSHIP BETWEEN CLADDING AND PLINTH (1:5)

PARTS LIST			
ITEM	QTY	PART NUMBER	DESCRIPTION
5	8	Plinth plate 2m	Aluminium
6	5	Plinth plate 1m	Aluminium
7	7	Plinth plate 3m	Aluminium
13	2	Tree 1 assembly	see DWG (500)41
14	3	Tree 2 assembly	see DWG (500)42
15	2	Tree 3 assembly	see DWG (500)43
16	2	Tree 4 assembly	see DWG (500)44
17	9	top hat 1.3m	Aluminium
18	4	top hat 4.2m	Aluminium
19	6	top hat 4.9m	Aluminium
20	2	top hat 2.3m	Aluminium
21	4	top hat .9m	Aluminium
22	4	top hat 2.52m	Aluminium
23	6	top hat 2.94m	Aluminium
24	2	top hat .6m	Aluminium
25	6	top hat 1.7m	Aluminium
27	8	top hat 2m	Aluminium
28	2	top hat 1.05m	Aluminium
29	4	top hat 3.25m	Aluminium
30	6	top hat 3.7m	Aluminium
31	2	top hat 1.7m	Aluminium
32	2	top hat 2.7m	Aluminium
33	11	top hat 3m	Aluminium
34	1	top hat 4m	Aluminium
35	1	top hat 1m	Aluminium
37	1	Ground angle 13m long	Aluminium folded angle 13m long
39	6	Ground angle 3m long	Aluminium folded angle
44	2	Ground angle 2m long	Aluminium folded angle
47	1	Ground angle 1m long	Aluminium folded angle
53	1	Ground angle 7m long	Aluminium
56	12	Plinth short stop end	Aluminium
57	9	Plinth long stop end	Aluminium

PUBLIC ART METAL TREE INSTALLATION

CA Building products is the nominated 'specialist' and shall be responsible for the full detailed design of the Public Art Metal Tree installation including support system and mechanical fixing back to the Kingspan Kierulff panel so as to comply with the loading limits of the panel.

It is the 'specialist's' responsibility to verify themselves regarding the information supplied & to request any additional information they consider relevant to the preparation of the design and specification of the installation.

The specialist shall include within his tender for all costs associated with the preparation of full design and fabrication drawings and samples for inspection by the Architect and for submission to the Local Authority for approval to discharge the relevant planning condition.

The specialist is to determine the relevant exposure category (Design Wind Pressure - Pg) for the location of the building.

Note: All sizes of panels and support system are indicative. The 'specialist' shall confirm sizes prior to manufacture.

Installation shall be carried out by an approved CA Building Products specialist sub-contractor.

The approved sub-contractor shall carry out on-site measure and confirm dimensions to architect and the 'specialist' prior to manufacture.

Installation of the facade system to be in accordance with the 'specialist's' approved details and specification.

The system

The tree system shall be fabricated using CA Building Products Private II Restroom Facade system utilising PPC 3mm thick aluminium substrate, fixed to a supporting sub-frame which shall be securely fixed back to the Kingspan Kierulff panel, all in accordance with the 'specialist's' approved details and specification.

See NBS Clause - H2241108 for full specification of aluminium sheeting See NBS Clause - Z21 for full specification of PPC.

The colour of the panels to be a combination of RAL 8020 + 8203 or similar and approved to produce a Corten effect finish with a 70% gloss finish. Samples of the finish to be submitted to the architect for approval prior to manufacture.

Please refer to tree panel details for indicative set out locations of fixing positions of the panels and aluminium support system.

Note that each panel is set a specific distance from the kerline panel, please refer to drawings for confirmation of the offset for each panel. The spacers required to achieve the specific offset to be specified by the 'specialist' and should be installed in accordance with their details and specification.

revision	date	by	chk

All dimensions to be verified on site and the Architect informed of any discrepancy. All drawings and specifications shall be read in conjunction with the Health and Safety Plan. All conflicts should be reported to the approved Principal Designer.

This drawing is the Property of Bowman Riley Architects Limited © 2007 NOT SCALE FROM THIS DRAWING

preliminary comment construction
 planning tender record



drawn by	checked by	date	scale
NH	SH	01/02/2017	AS SHOWN

Proposed New Supermarket.
Abergavenny

PUBLIC ART METAL TREE
INSTALLATION GA

project number	drawing number	revision
6747.1	(500)10	